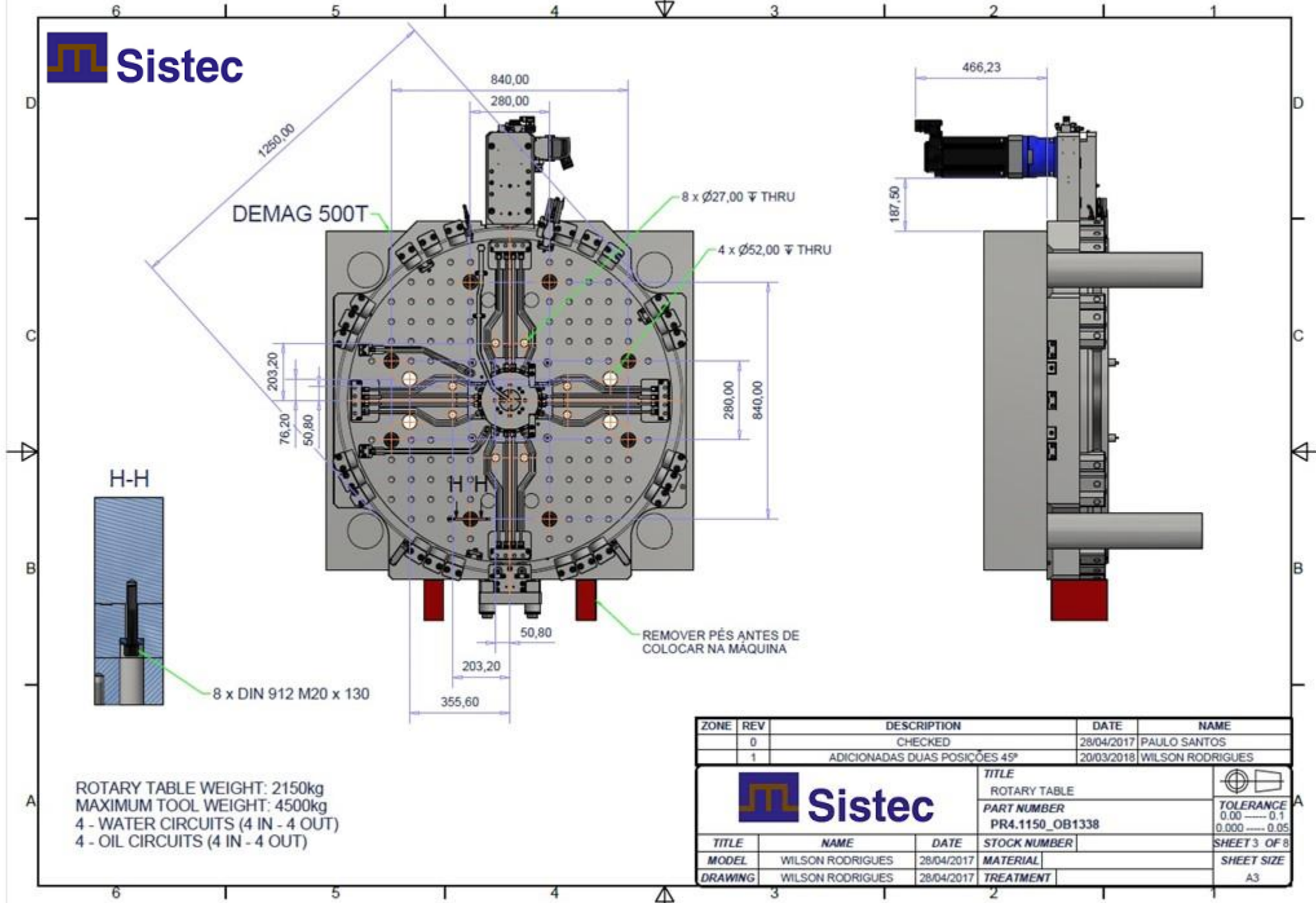


A ROTARY TABLE WEIGHT: 2150kg
 MAXIMUM TOOL WEIGHT: 4500kg
 4 - WATER CIRCUITS (4 IN - 4 OUT)
 4 - OIL CIRCUITS (4 IN - 4 OUT)

ZONE	REV	DESCRIPTION	DATE	NAME
	0	CHECKED	28/04/2017	PAULO SANTOS
	1	ADICIONADAS DUAS POSIÇÕES 45°	20/03/2018	WILSON RODRIGUES

		TITLE		
		ROTARY TABLE		
PART NUMBER		STOCK NUMBER		TOLERANCE
PR4.1150_OB1338				0.00 — 0.1 0.000 — 0.05
TITLE	NAME	DATE	MATERIAL	SHEET 2 OF 8
MODEL	WILSON RODRIGUES	28/04/2017		SHEET SIZE
DRAWING	WILSON RODRIGUES	28/04/2017	TREATMENT	A3



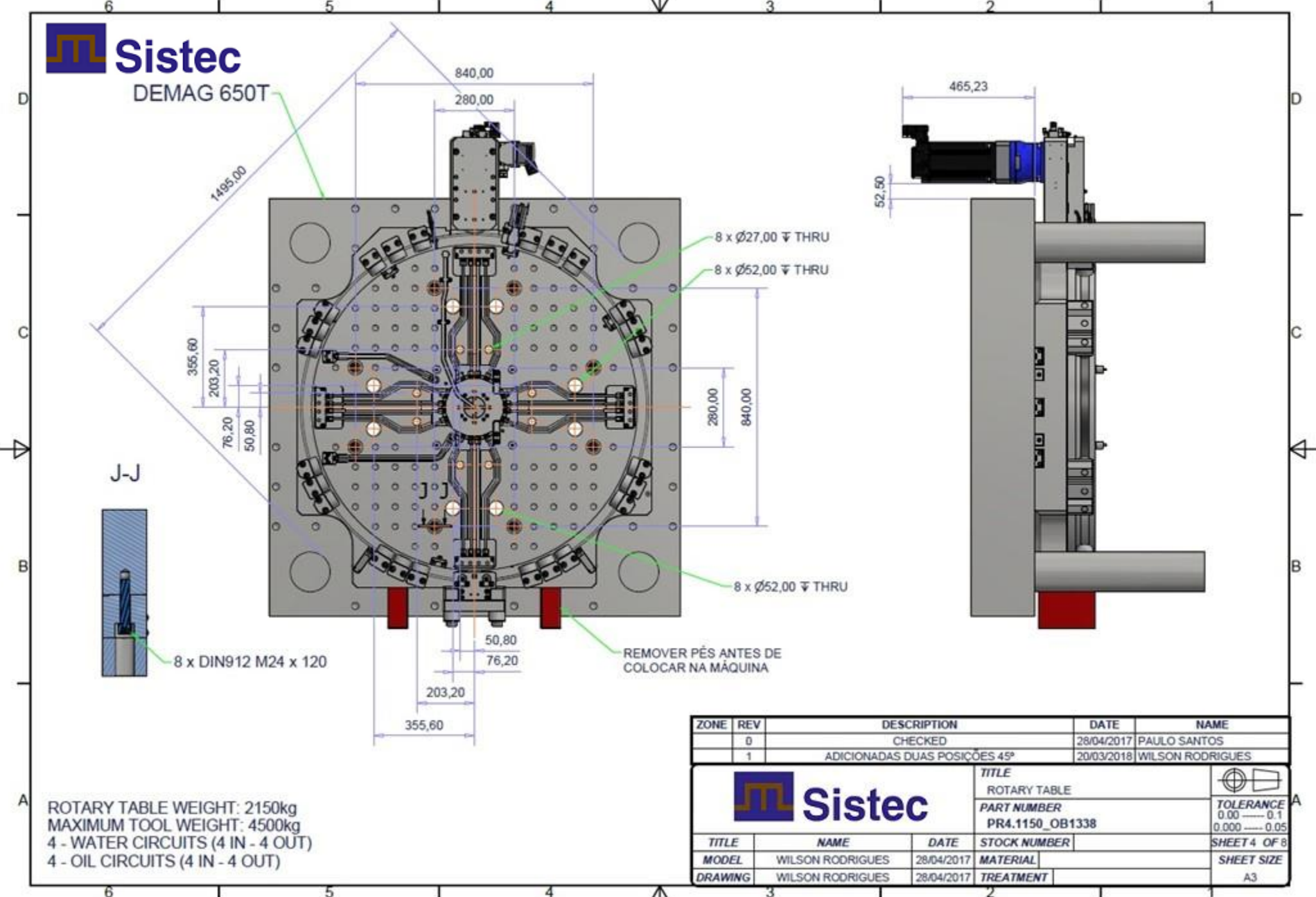
ROTARY TABLE WEIGHT: 2150kg
 MAXIMUM TOOL WEIGHT: 4500kg
 4 - WATER CIRCUITS (4 IN - 4 OUT)
 4 - OIL CIRCUITS (4 IN - 4 OUT)

ZONE	REV	DESCRIPTION	DATE	NAME
	0	CHECKED	28/04/2017	PAULO SANTOS
	1	ADICIONADAS DUAS POSIÇÕES 45°	20/03/2018	WILSON RODRIGUES

		TITLE		
		ROTARY TABLE		
MODEL		PART NUMBER		TOLERANCE
DRAWING		TREATMENT		0.00 — 0.1 0.000 — 0.05
NAME		STOCK NUMBER		SHEET 3 OF 8
DATE		MATERIAL		SHEET SIZE
DATE		MATERIAL		A3



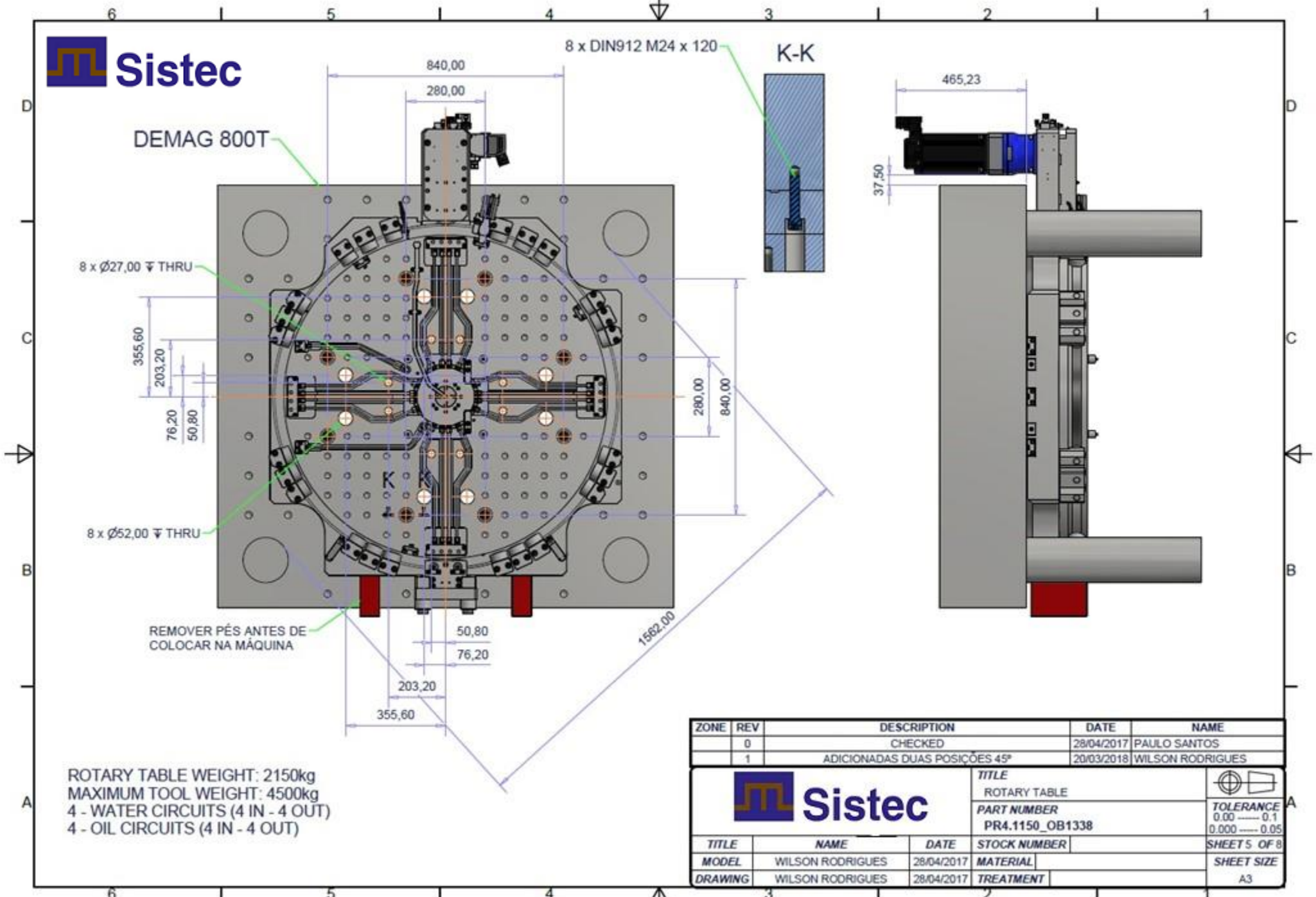
DEMAG 650T



ROTARY TABLE WEIGHT: 2150kg
 MAXIMUM TOOL WEIGHT: 4500kg
 4 - WATER CIRCUITS (4 IN - 4 OUT)
 4 - OIL CIRCUITS (4 IN - 4 OUT)

ZONE	REV	DESCRIPTION	DATE	NAME
	0	CHECKED	28/04/2017	PAULO SANTOS
	1	ADICIONADAS DUAS POSIÇÕES 45°	20/03/2018	WILSON RODRIGUES

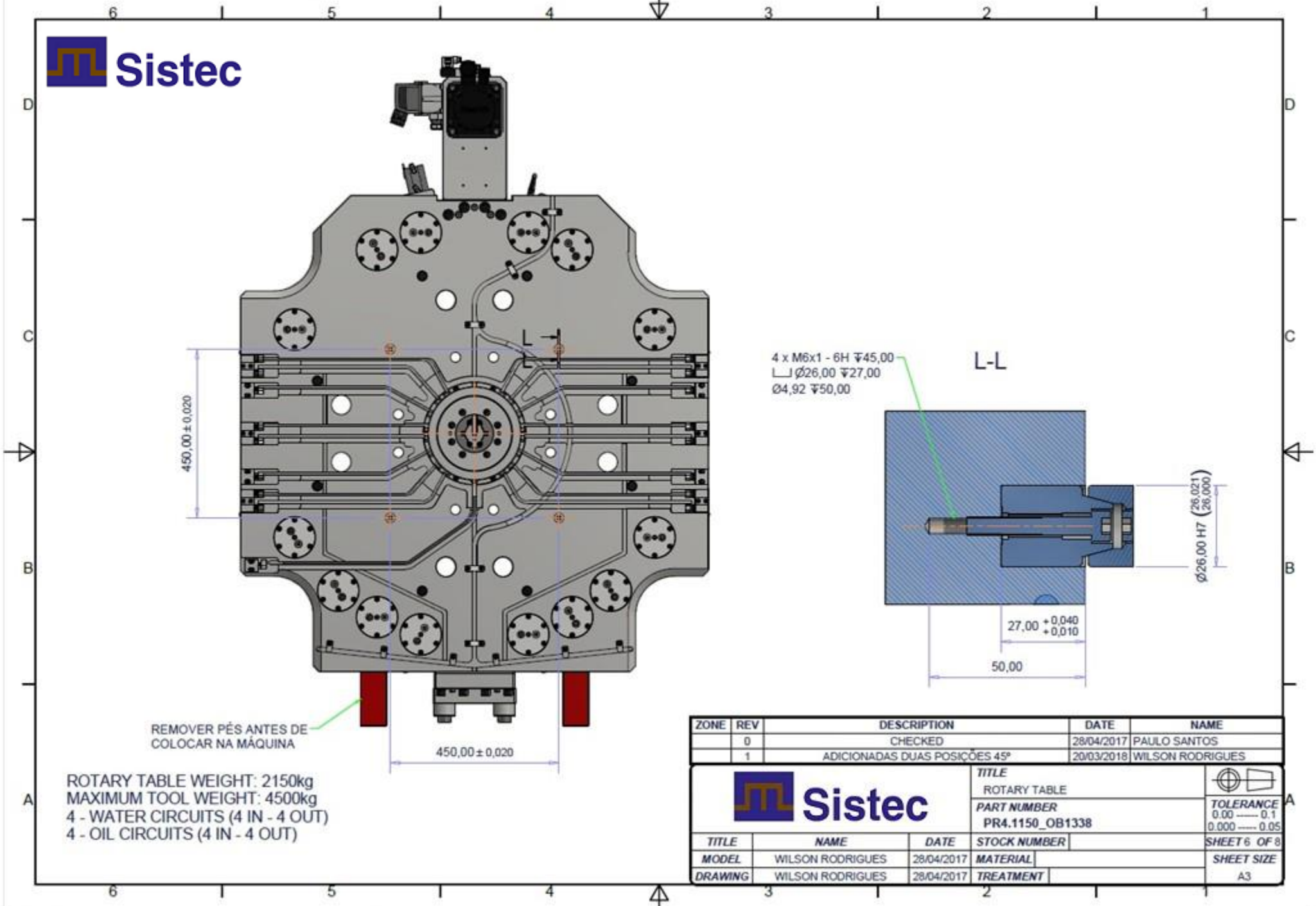
		TITLE		
		ROTARY TABLE		
		PART NUMBER		TOLERANCE
		PR4.1150_OB1338		0.00 — 0.1
				0.000 — 0.05
TITLE	NAME	DATE	STOCK NUMBER	SHEET 4 OF 8
MODEL	WILSON RODRIGUES	28/04/2017	MATERIAL	SHEET SIZE
DRAWING	WILSON RODRIGUES	28/04/2017	TREATMENT	A3



ROTARY TABLE WEIGHT: 2150kg
 MAXIMUM TOOL WEIGHT: 4500kg
 4 - WATER CIRCUITS (4 IN - 4 OUT)
 4 - OIL CIRCUITS (4 IN - 4 OUT)

ZONE	REV	DESCRIPTION	DATE	NAME
	0	CHECKED	28/04/2017	PAULO SANTOS
	1	ADICIONADAS DUAS POSIÇÕES 45°	20/03/2018	WILSON RODRIGUES

		TITLE		
		ROTARY TABLE		
Sistec		PART NUMBER		TOLERANCE 0.00 — 0.1 0.000 — 0.05
		PR4.1150_OB1338		
TITLE	NAME	DATE	STOCK NUMBER	SHEET 5 OF 8
MODEL	WILSON RODRIGUES	28/04/2017	MATERIAL	SHEET SIZE
DRAWING	WILSON RODRIGUES	28/04/2017	TREATMENT	A3



REMOVER PÉS ANTES DE COLOCAR NA MÁQUINA

ROTARY TABLE WEIGHT: 2150kg
 MAXIMUM TOOL WEIGHT: 4500kg
 4 - WATER CIRCUITS (4 IN - 4 OUT)
 4 - OIL CIRCUITS (4 IN - 4 OUT)

4 x M6x1 - 6H 45,00
 Ø26,00 27,00
 Ø4,92 50,00

L-L

Ø26,00 H7 (26,021 / 26,000)

27,00 +0,040 / +0,010

50,00

ZONE	REV	DESCRIPTION	DATE	NAME
	0	CHECKED	28/04/2017	PAULO SANTOS
	1	ADICIONADAS DUAS POSIÇÕES 45°	20/03/2018	WILSON RODRIGUES

 Sistec		TITLE		
		ROTARY TABLE		
MODEL		PART NUMBER		TOLERANCE
WILSON RODRIGUES		PR4.1150_OB1338		0,00 — 0,1 0,000 — 0,05
DRAWING		DATE	STOCK NUMBER	SHEET 6 OF 8
WILSON RODRIGUES		28/04/2017		SHEET SIZE
		28/04/2017		A3